

MEASURING STATION

Model OVAL D



OVAL D

KYTOLA® OVAL D measuring station is designed and developed to monitor oil flow rates measured by model SR - oval gear meters in circulation lubrication systems.

The OVAL D measuring station(s) can be as an independent station(s), connected to Kytola KVMWIN control room software or to customers DCS / PLC via Modbus RTU protocol.

FEATURES

- Stainless steel housing
- Local display
- Serial interface RS485 or RS422
- Communication with upper level systems
- Modbus RTU protocol
- Kytola KVM protocol
- Alarm relays
- Alarm inhibits
- Alarm groups

TYPICAL APPLICATIONS

- Lubrication oil monitoring
- Industrial oil flow monitoring
- Process control



OVAL D panel

OVAL D



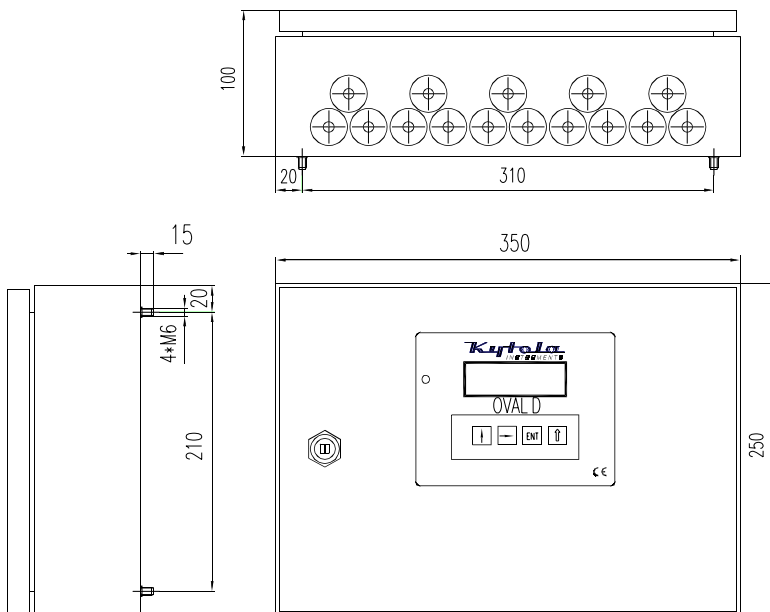
Technical data OVAL D

Housing	Stainless steel, IP65
Supply voltage	24VDC±25% / 0,6A or 110-240VAC/50-60Hz
Display	4 x 20 characters + 4 pcs buttons
Communication	Modbus RTU (RS485 / RS422) or Kytola KVM (RS422) protocol
Measuring points / station	Max. 48 points with Modbus RTU protocol (96 points on special request) or max. 48 points with Kytola KVM protocol
Max. number of stations	Up to 64 stations can be connected to one serial bus
Alarm relays	3 pcs potential-free relays for Hi flow, Lo flow and LoLo flow alarms + 1 pc programmable relay
Alarm inhibition inputs	3 pcs optoisolated inputs to prevent alarms
Sensor types	Kytola coil- or NAMUR-sensor; DIN 19234

OVALD -

		Power supply
		24VDC ±25% / 0,6A
	P	110 - 240 VAC / 50 - 60 Hz
		Number of measuring points
16		16 measuring points
32		32 measuring points
48		48 measuring points

Max. 96 measuring points on special request



MANUFACTURER



KYTOLA OY • Olli Kytolan tie 1
P.O. Box 5 • FI-40951 MUURAME • FINLAND
Phone +358 207 7906 90 • Fax +358 14 631 419
E-mail sales@kytola.com • www.kytola.com

LOCAL REPRESENTATIVE