

FLOW METER

Model **VL, VD, VE**

Model V variable area flow meter is intended for reliable measuring and monitoring of liquid and gas flows.



Model VL



Model VD



Model VE



Model VE6A



Model VL with constant flow regulator model 2914

FEATURES

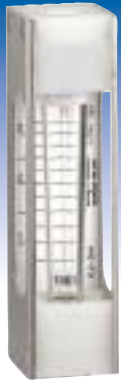
- Sturdy construction
- Impact resistant flow tube
- Models VD and VE with flow adjustment valve and quick change tube
- Large selection of materials
- Flow alarm readiness

TYPICAL APPLICATIONS

- Lubrication oil measurement
- Sealing and cooling water measurement
- Flush water applications
- Gas flow measurements

OPTIONS

- Scale for alternative liquids and gases
- Low and/or high flow alarm
- Back light
- Constant flow regulator
- Viton® or EPDM seals
- PES flow tube
- Model VE in multi-tube versions



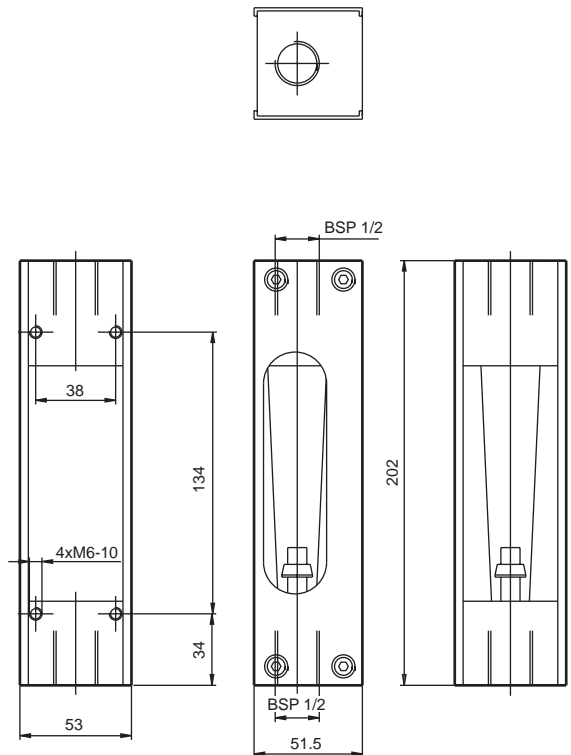
Technical data VL

| Model | VLA - | VLH - | VLK - |
|------------------|--|-----------------|-----------------|
| Weight | 0,75 kg | 2,00 kg | 0,95 kg |
| End blocks | Aluminium | AISI 316 | Nylon |
| Side plates | AISI 316 | AISI 316 | AISI 316 |
| Max. pressure | 30 bar | 30 bar | 20 bar |
| Max. temperature | 80 °C (*120 °C) | 80 °C (*120 °C) | 80 °C (*120 °C) |
| Flow tube | Grilamid (PA-12) (*PES) | | |
| Connections | BSP 1/2" or NPT 1/2" | | |
| Float | AISI 329 or AISI 329/PTFE (depending on range) | | |
| Seals | Nitrile (*Viton®, EPDM) | | |
| Accuracy | ±5% F.S. (H ₂ O, +20 °C) | | |

VL

*) Special construction on request

| VL | - | - | - |
|---------------------------|-----------------------------------|------------------|---|
| Special feature | | | |
| D | Alarm readiness | | |
| N | NPT connections | | |
| V | PES flowtube | | |
| W | PES flowtube, Viton® -seals | | |
| X | Viton® -seals | | |
| Scale | | | |
| A | H ₂ O (l/min) at +20°C | | |
| R | Air (NI/min) at +20°C / 101,3 kPa | | |
| Flow range | | | |
| | H₂O | Air | |
| 6H | 0,4 - 2 l/min | 15 - 75 NI/min | |
| 3H | 0,75 - 3,25 l/min | 30 - 130 NI/min | |
| 3K | 1,5 - 5,5 l/min | 40 - 180 NI/min | |
| 3L | 2 - 9 l/min | 60 - 280 NI/min | |
| 3M | 3 - 10 l/min | 75 - 325 NI/min | |
| 4D | 3 - 17 l/min | 100 - 500 NI/min | |
| 4E | 4 - 22 l/min | 100 - 650 NI/min | |
| 4F | 5 - 30 l/min | 150 - 900 NI/min | |
| End block material | | | |
| A | Aluminium | | |
| H | AISI 316 | | |
| K | Nylon | | |



MANUFACTURER

Kytola
INSTRUMENTS

KYTOLA OY • Olli Kytolan tie 1
P.O. Box 5 • FI-40951 MUURAME • FINLAND
Phone +358 207 7906 90 • Fax +358 14 631 419
E-mail sales@kytola.com • www.kytola.com

LOCAL
REPRESENTATIVE

VD

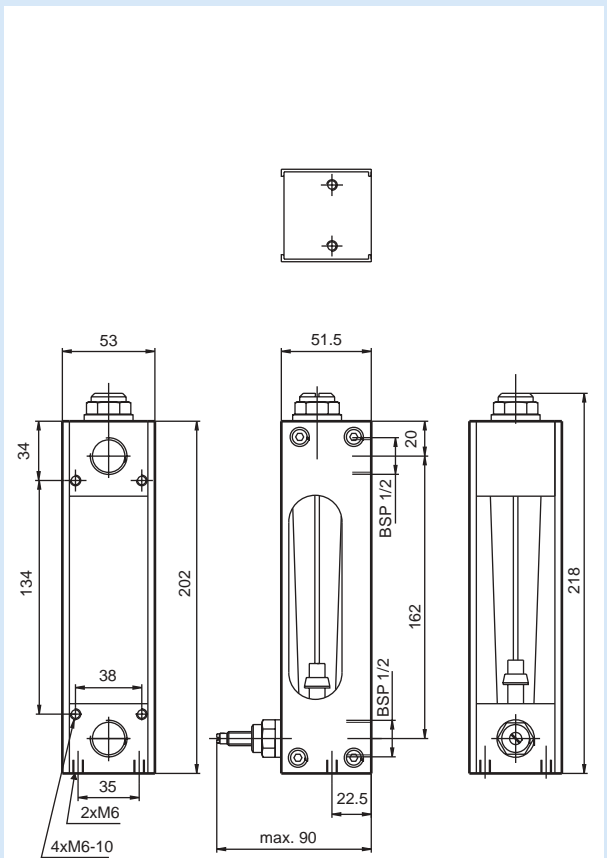


Technical data VD

| Model | VDA - | VDH - | VDK - |
|------------------|--|-----------------|-----------------|
| Weight | 0,75 kg | 2,00 kg | 0,95 kg |
| End blocks | Aluminium | AISI 316 | Nylon |
| Side plates | AISI 316 | AISI 316 | AISI 316 |
| Max. pressure | 30 bar | 30 bar | 20 bar |
| Max. temperature | 80 °C (*120 °C) | 80 °C (*120 °C) | 80 °C (*120 °C) |
| Valve housing | Aluminium | AISI 316 | AISI 316 |
| Valve spindle | AISI 316 | | |
| Flowtube | Grilamid (PA-12) (*PES) | | |
| Connections | BSP 1/2" or NPT 1/2" | | |
| Float | AISI 329 or AISI 329/PTFE (depending on range) | | |
| Seals | Nitrile (*Viton®, EPDM) | | |
| Accuracy | ±5% F.S. (H ₂ O, +20 °C) | | |

*) Special construction on request

| | | | | |
|----|---|---|----|-------------------------------------|
| VD | - | - | - | |
| | | | | Special feature |
| | | | D | Alarm readiness |
| | | | N | NPT connections |
| | | | V | PES flowtube |
| | | | W | PES flowtube, Viton® -seals |
| | | | X | Viton® -seals |
| | | | | Scale |
| | | | A | H ₂ O (l/min) at +20°C |
| | | | R | Air (NI/min) at +20°C / 101,3 kPa |
| | | | | Flow range |
| | | | | H₂O Air |
| | | | 6H | 0,4 - 2 l/min 15 - 75 NI/min |
| | | | 3H | 0,75 - 3 l/min 30 - 130 NI/min |
| | | | 3K | 1,5 - 5 l/min 40 - 180 NI/min |
| | | | 3L | 2 - 9 l/min 80 - 280 NI/min |
| | | | 3M | 2 - 10 l/min 75 - 325 NI/min |
| | | | 4D | 3 - 16 l/min 100 - 650 NI/min |
| | | | 4E | 4 - 22 l/min 100 - 1100 NI/min |
| | | | 4F | 5 - 32,5 l/min - |
| | | | | End block material |
| | | | A | Aluminium |
| | | | H | AISI 316 |
| | | | K | Nylon |



MANUFACTURER

Kytola
INSTRUMENTS

KYTOLA OY • Olli Kytolan tie 1
P.O. Box 5 • FI-40951 MUURAME • FINLAND
Phone +358 207 7906 90 • Fax +358 14 631 419
E-mail sales@kytola.com • www.kytola.com

LOCAL REPRESENTATIVE



Technical data VE

| Model | VEA - | VEH - | VEK - |
|------------------|--|-----------------|-----------------|
| Weight | 0,75 kg | 2,00 kg | 0,95 kg |
| End blocks | Aluminium | AISI 316 | Nylon |
| Side plates | AISI 316 | AISI 316 | AISI 316 |
| Max. pressure | 30 bar | 30 bar | 20 bar |
| Max. temperature | 80 °C (*120 °C) | 80 °C (*120 °C) | 80 °C (*120 °C) |
| Valve housing | Aluminium | AISI 316 | AISI 316 |
| Valve spindle | AISI 316 | | |
| Flowtube | Grilamid (PA-12) (*PES) | | |
| Connections | BSP 1/2" or NPT 1/2" | | |
| Float | AISI 329 or AISI 329/PTFE (depending on range) | | |
| Seals | Nitrile (*Viton®, EPDM) | | |
| Accuracy | ±5% F.S. (H ₂ O, +20 °C) | | |

*) Special construction on request

| | | | | |
|----|---|---|----|-------------------------------------|
| VE | - | - | - | |
| | | | | Special feature |
| | | | D | Alarm readiness |
| | | | N | NPT connections |
| | | | V | PES flowtube |
| | | | W | PES flowtube, Viton® -seals |
| | | | X | Viton® -seals |
| | | | | Scale |
| | | | A | H ₂ O (l/min) at +20°C |
| | | | R | Air (NI/min) at +20°C / 101,3 kPa |
| | | | | Flow range |
| | | | | H₂O Air |
| | | | 6H | 0,4 - 2 l/min 15 - 70 NI/min |
| | | | 3H | 0,75 - 3 l/min 30 - 130 NI/min |
| | | | 3K | 1,5 - 5 l/min 40 - 170 NI/min |
| | | | 3L | 2 - 9 l/min 60 - 260 NI/min |
| | | | 3M | 2 - 10 l/min 75 - 300 NI/min |
| | | | 4D | 3 - 16 l/min 100 - 450 NI/min |
| | | | 4E | 4 - 20 l/min 100 - 650 NI/min |
| | | | 4F | 5 - 30 l/min 150 - 700 NI/min |
| | | | | End block material |
| | | | A | Aluminium |
| | | | H | AISI 316 |
| | | | K | Nylon |

