



## FLOW CONTROLLER | MODEL OCU

- ▶ Monitors and controls flow rates of up to 4 lube points
- ▶ Ranges up to 2.1 PPM to 13 PPM (1 LPM to 6 LPM) depending on model
- ▶ NPT or BSP connections
- ▶ Easy to install and use

The Kytola flow controller model OCU four point model multi-block is designed for monitoring and controlling flow rates of individual lubrication points in paper machine circulation lubrication systems.

The flow rates are measured with oval gear flow meters. If any deviation between the flow rate and the set point occurs the flow control valve automatically adjusts the flow rate to the set value.

- On-line measurement
- Serial communication with upper level systems
- Individual service valves
- Single block model available

- Paper machine oil lubrication systems
- Industrial oil flow
- Process control

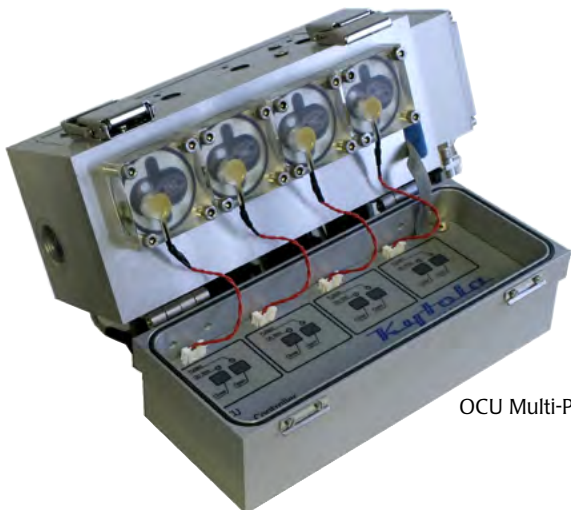
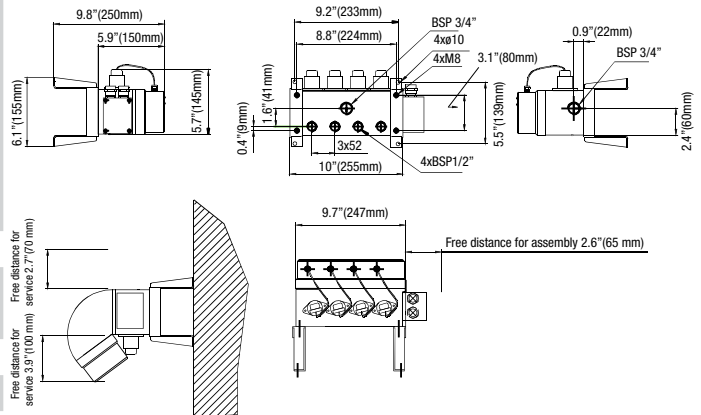
- Temperature measurement
- Wall mounting stand

Model			
Maximum flow range	2.1 PPM (1 LPM)	5.3 PPM (2.5 LPM)	13 PPM (6 LPM)
Maximum pressure	145 psi (10 bar)		
Maximum temperature	176°F (80°C)		
Protection class	IP 67		
Oil purity classification	16/13, ISO 4406		
Oil viscosity	10 – 680 cSt		
Enclosure	IP67 protection		
Supply voltage	+24 VDC		
Communication	Modbus RTU (RS-485)		
Connections	Common 3/4" Inlet, 1/2" Outlets - NPT (BSP)		

## 4 Point Block Model

OCU4 -XXXX- -

	Flow Range	Measur-	
	PPM	LPM	
<b>A</b>	0.2 - 2.1	0.1 - 1	automatic
<b>B</b>	0.53 - 5.3	0.25 -	automatic
<b>C</b>	1.3 - 13	0.6 - 6	automatic
<b>D</b>	2.1 - 21	1 - 10	manual
<b>E</b>	4.2 - 42	2 - 20	manual
<b>F</b>	6.3 - 63	3 - 30	manual
<b>X</b>	Spare measuring points		
<b>Connections</b>			
<b>N</b>	BSP threads		
	NPT threads		
<b>Options</b>			
<b>S</b>	Wall stand		



OCU Multi-Point with Kytola Oval Gears