

The KYTOLA® Oval Min-E Local Display Unit is designed to monitor and display flow rates and flow alarms measured by KYTOLA® oval gear meters or other flow meters with pulse outputs.

Oval Min-E can operate as a local display or connected to Kytola KVM Control monitoring software, or to customers' PLC or DCS.



- Single or multi-channel models
- Kytola coil, NAMUR, NPN, or PNP sensor inputs
- Modbus RTU (RS-485) communication
- IP Class 65
- Robust aluminium housing

LOCAL DISPLAY UNIT OVAL MIN-E

FEATURES

- Clear scalable display
- Instant and cumulative flow measurement
- Multiple flow units
- Multiple flow alarm levels
- Visible indication of alarm type
- Multi-level configuration
- Pulse input
- Alarm relay
- mA outputs

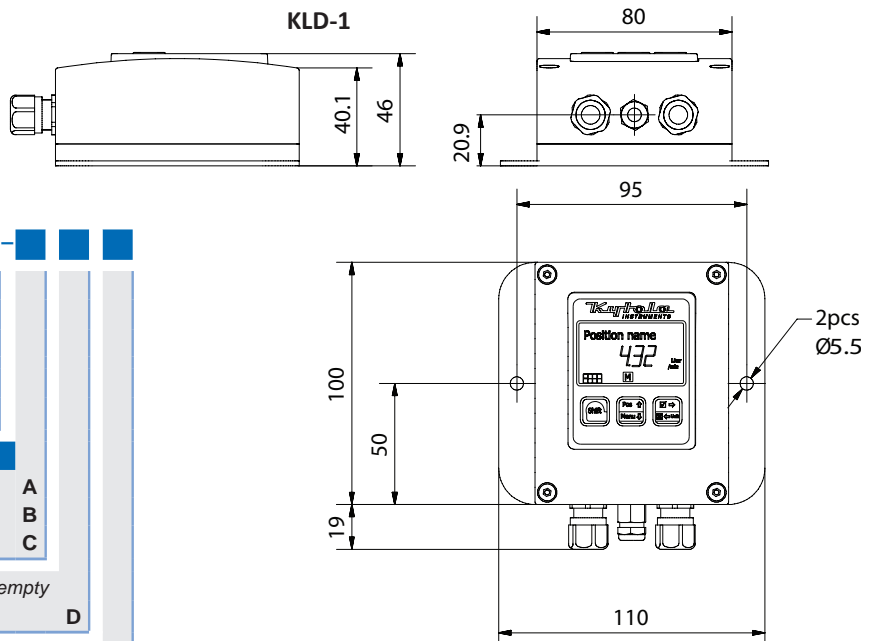
TYPICAL APPLICATIONS

- Lubrication oil flow monitoring
- Industrial flow monitoring
- Process control

OVAL MIN-E

TECHNICAL DATA

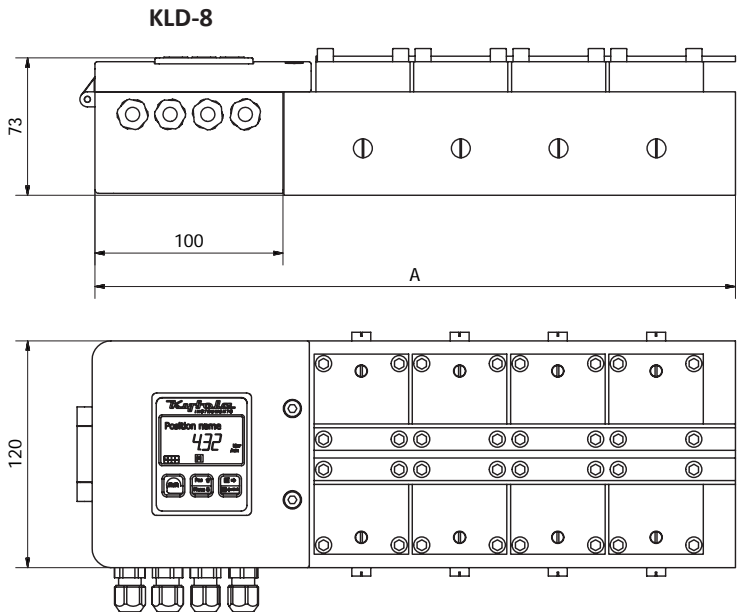
Model	KLD-1, KLD-8
Supply voltage	24 VDC
Sensor types	Kytola coil, NAMUR (ILK-M12-N), NPN, PNP
Communication	Modbus RTU (RS-485)
Current output	4–20 mA, 1 pc on single channel model, optional 8 pcs on multi-channel
Relay output	1 pc NC, max. 48 VAC/DC, 0.5A
Supply current (maximum)	KLD-1: 65 mA, KLD-8: 100 mA, KLD-8-MA: 220 mA
Housing	Painted aluminium
IP class	IP 65
Ambient temperature	-20°C...+60°C (relative humidity < 85 %, non-condensing)
Dimensions	Single channel model 110 x 100 x 46 mm Multi-channel model 100 x 120 x 73 mm
Weight	Single channel model 390 g, multi-channel model 550 g



KLD- [] - [] - [] - []	
Number of Input Channels	
Single channel with mA and relay output	1
Multi-channel (1–8 channels) with relay output	8
Special Feature	
mA outputs on multi-channel model (8 pcs)	MA
Multi-channel Model	
KLD-8 on the left of the SR meter, standard	A
KLD-8 on the right of the SR meter	B
KLD-8 mounting separately from the SR meter	C
KLD-8 standard	leave empty
KLD-8 for NAMUR sensors, only with MA option	D
Sensor Input	
Kytola coil	K
ILK-M12-N (NAMUR)	I
NPN	N
PNP	P



Model	A
SR4 + KLD-8	236
SR6 + KLD-8	288
SR8 + KLD-8	340



Copyright © Kytola Instruments Oy 2018. Dimensions and measurements are given within normal tolerances. Manufacturer reserves the right to changes without prior notification. File KLD_es23_en Published 03/2018



www.kytola.com



Kytola Instruments Oy

Olli Kytölään tie 1
FI-40950 Muurame, Finland
Tel. +358 20 779 0690
Fax +358 14 631 419
E-mail info@kytola.com